

Network Infrastructure Major Site Reference by Netmarks (Thailand)



Case Study #1

Network Infrastructure

Business Requirements

- Fully Redundant Network for Production Control System (Client-Server Architecture)
- Authentication before getting access to Network Infra
- Real-time Monitoring for all Network Equipment with Alert

Solution

Network Equipment

- Cisco C3750 Core Switch (18 units)
- Cisco C2960 Access Switch (40+ units)
- Cisco Secure ACS Appliance (1 unit)

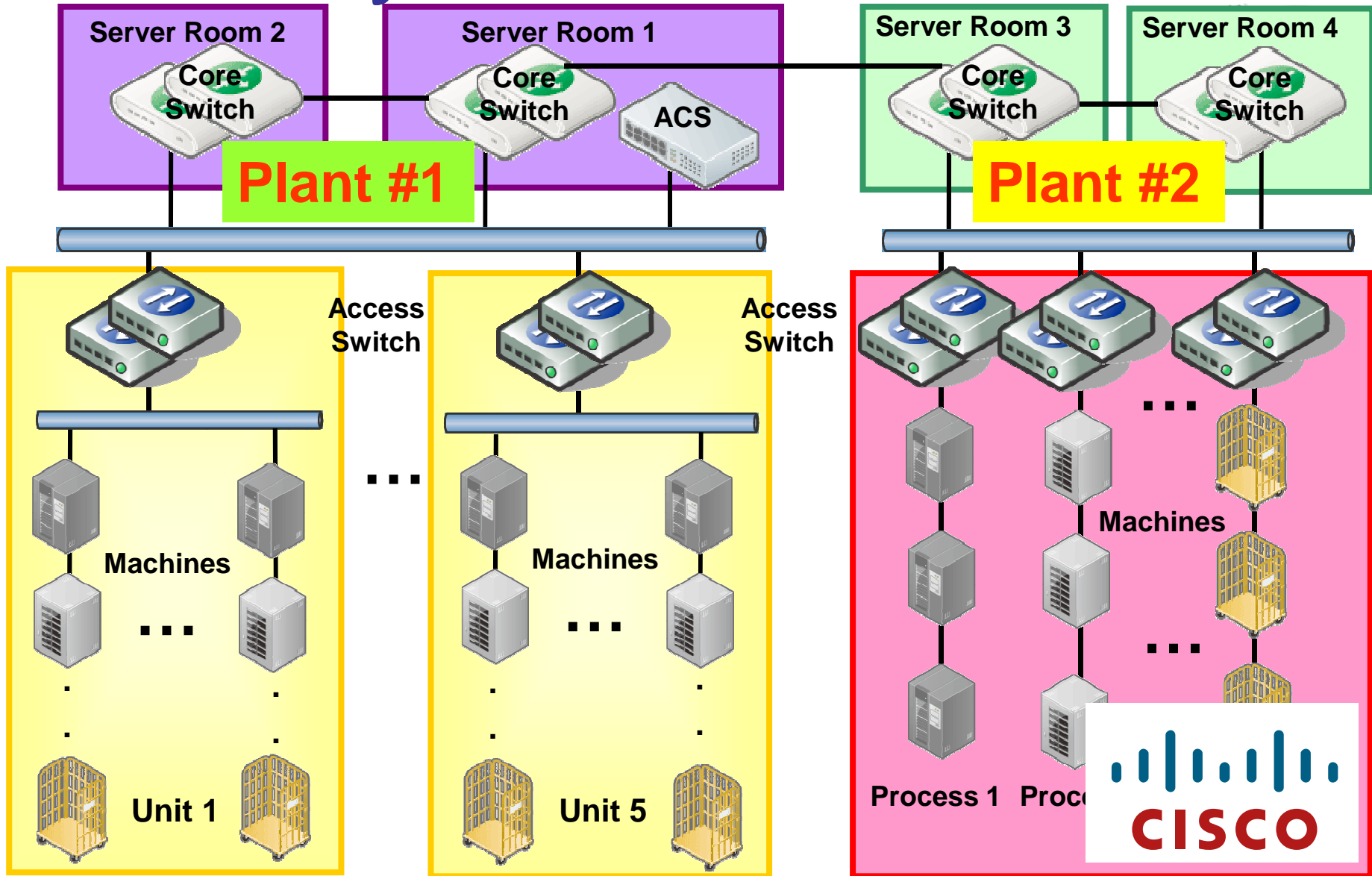
HP Openview



Customer Profile

- **Business Type:** Tyre Manufacturing
- **Number of plants:** 2
- **Number of Users:** 600

Case Study #1



Case Study #2

Network Infrastructure

Business Requirements

- Fully Redundant Core Network for Production Area
- Many Plants in each Location, require Distribution-layer Switch for each plant
- Application Servers are located at Main Site, Internet Access & HQ (in Japan) Access must be done via Main Site too, so Fully Redundant WAN links for each location are required

Solution

LAN Equipment

- Cisco C6500 Core Switch (2 units)
- Cisco C3750 Distributed Switch (6 units)
- Cisco C2960 Access Switch (40+ units)

WAN & Internet Equipment

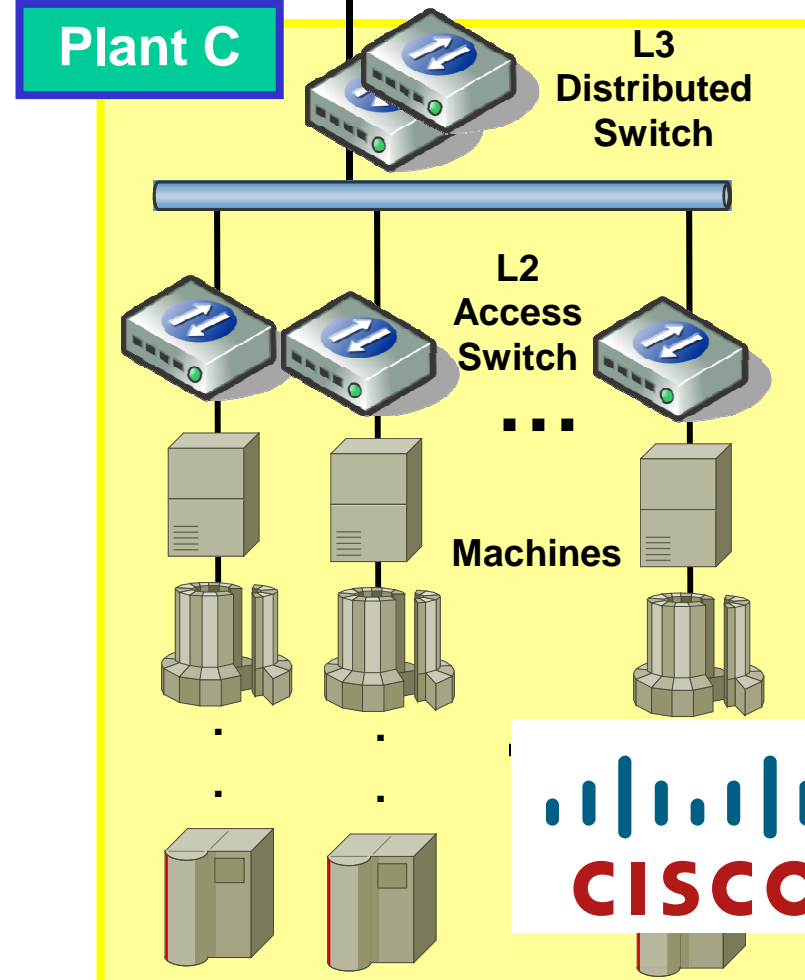
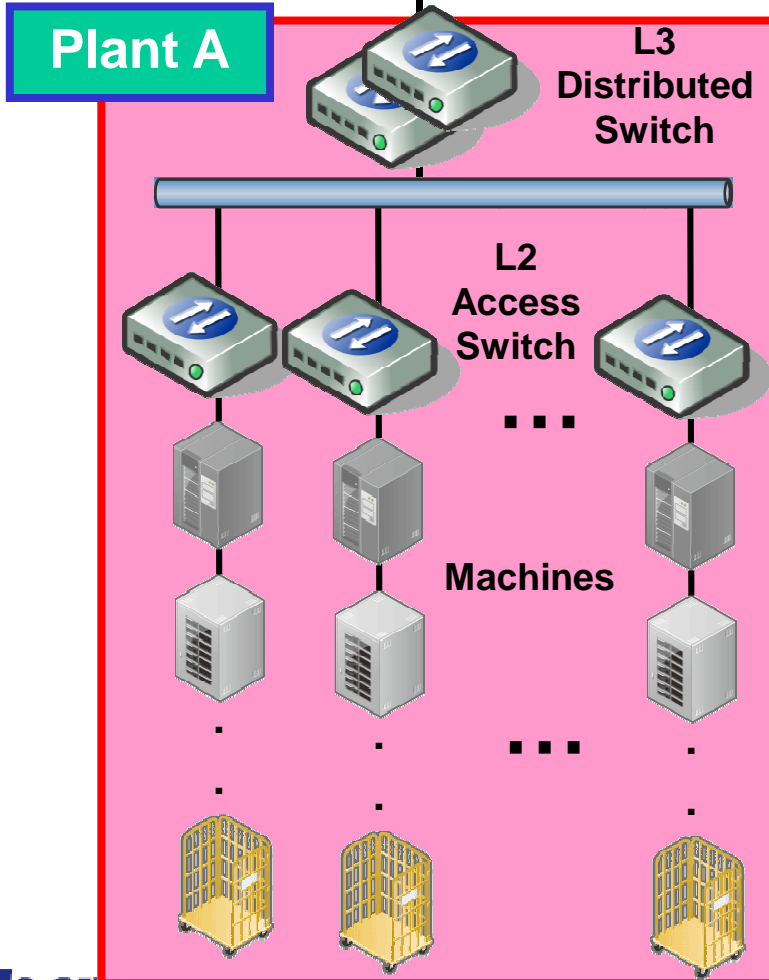
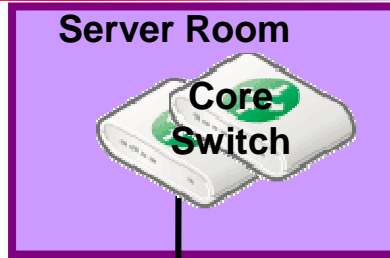
- Cisco C7200 Router (1 unit)
- Cisco C3800 Router (2 unit)
- Cisco C2800 Router (8 units)



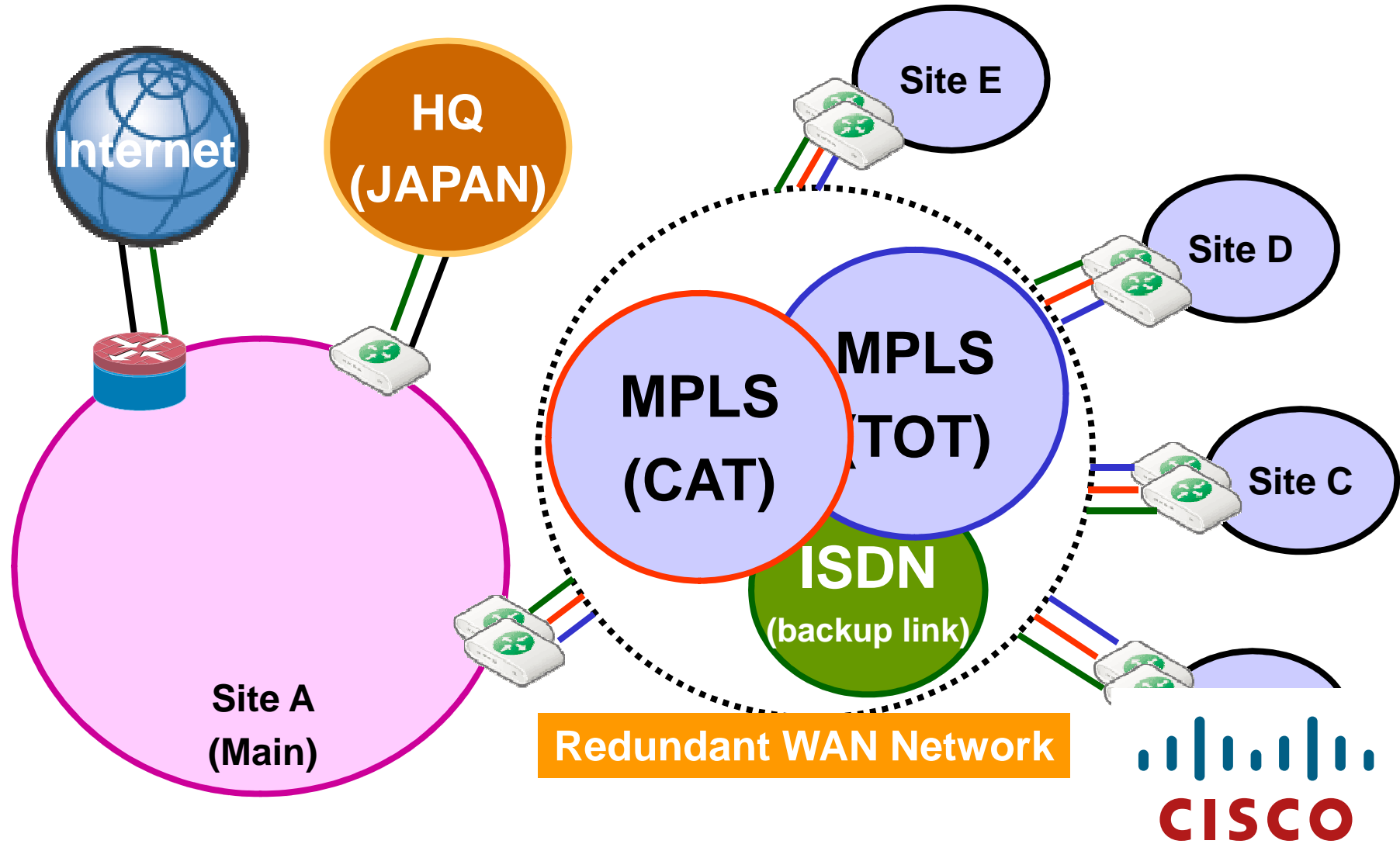
Customer Profile

- Business Type: Car Manufacturing
- Number of locations: 5
- Number of Users: 1,200

Case Study #2 - LAN



Case Study #2 - WAN



Case Study #3

Network Infrastructure

Business Requirements

- Fully Redundant Network with Ultra High Speed links to Server Farm & Executive Floors
- Fully Redundant High Speed Internet Access for Some Specific Applications & Public Access to Company Web-Site
- Network Access for Branch Sites

Solution

LAN Equipment

- 3Com 7709E Core Switch (2 units)
- 3Com 5500G Access Switch (16 units)
- 3Com 4500G Access Switch (20 units)

WAN & Internet Equipment

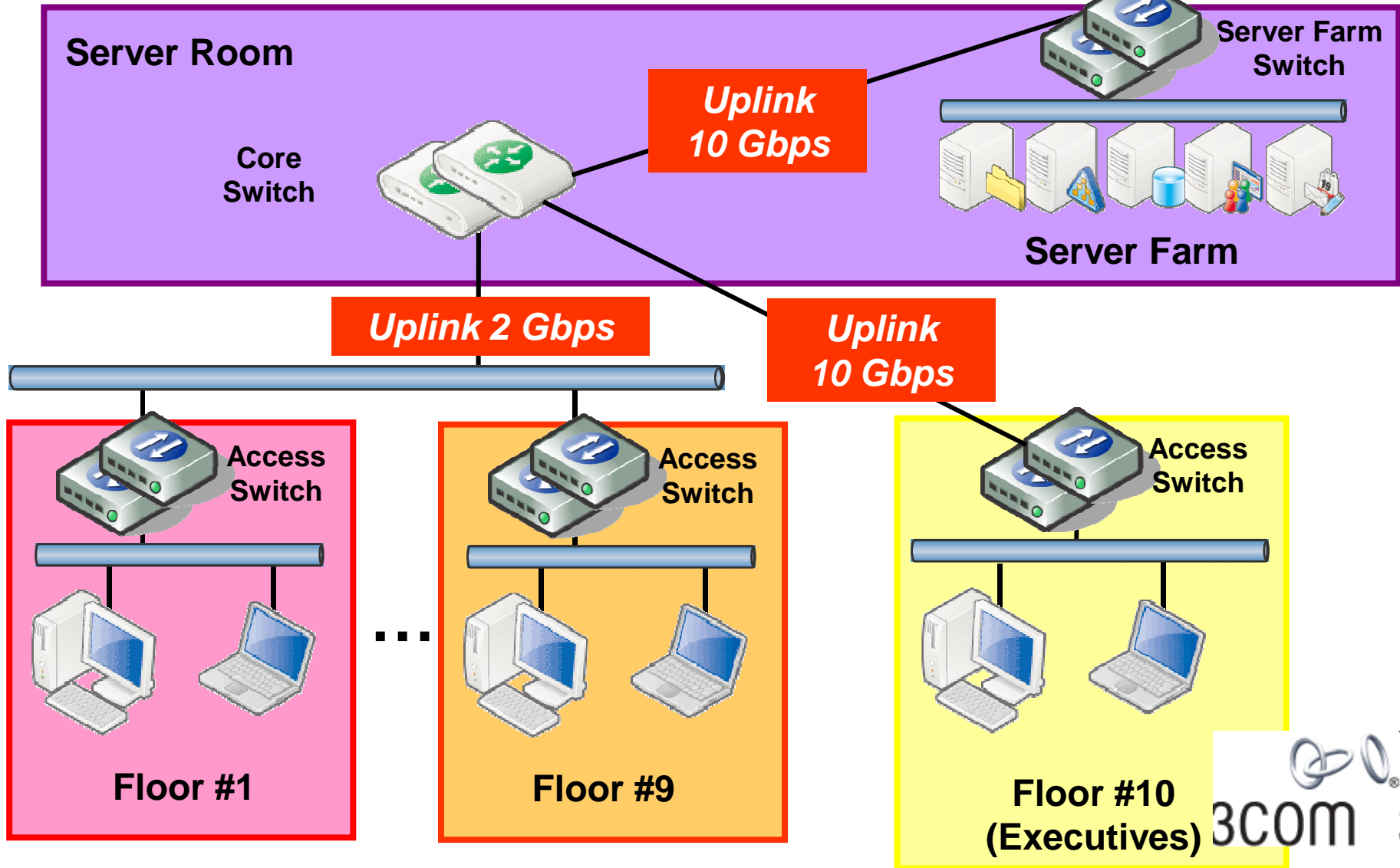
- Router Cisco 2600 (3 units), Cisco 3801, Cisco 1841 (2 units)
- Radware LinkProof 100 (2 units)
- Stonegate FW1050 (2 units)



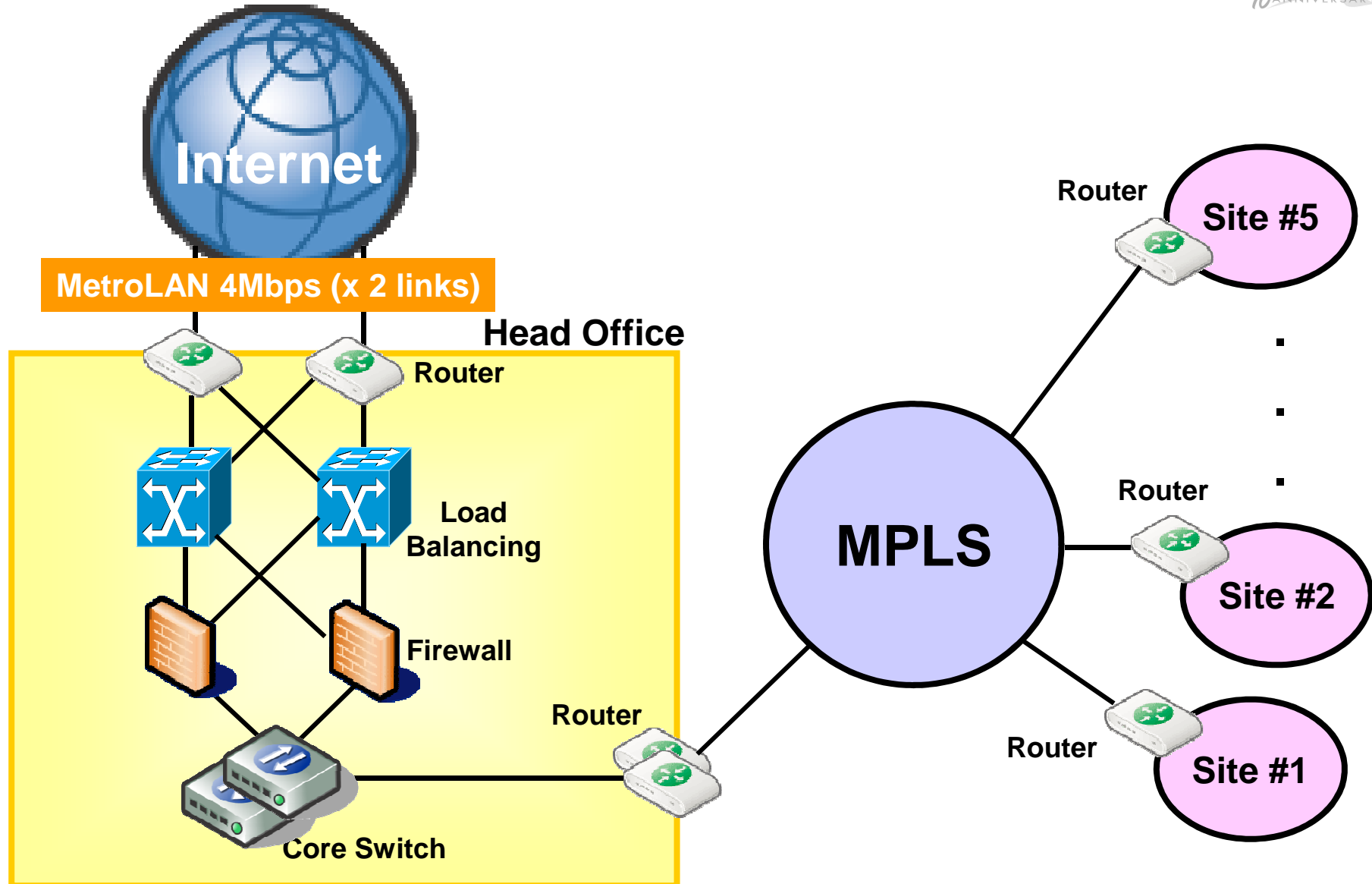
Customer Profile

- **Business Type:** Electricity Generation Company
- **Number of locations:** 6
- **Number of Users:** 750

Case Study #3 - LAN



Case Study #3 - WAN



We are here 
On Customers' Side.